

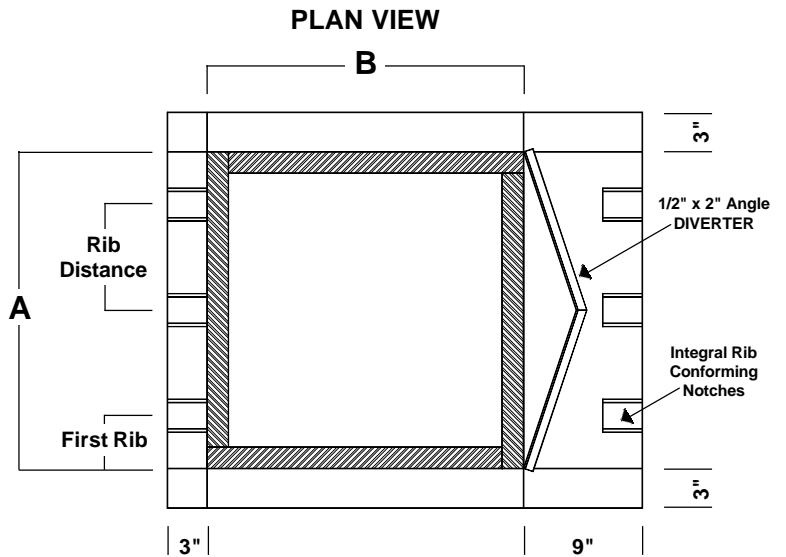
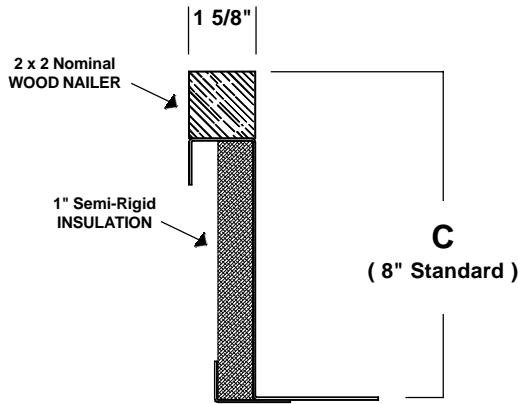
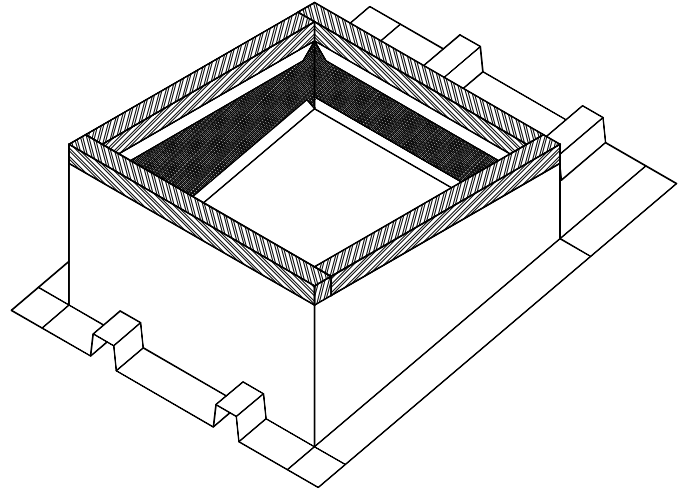
ROOF CURB

S-MB

Metal Building / Insulated
Formed Steel

STANDARD CONSTRUCTION

- Fabricated of 18 gauge galvanized steel. All seams are fully welded and sprayed with protective coating.
- Any pitch may be fabricated by specifying the height increase, in inches, per every linear foot. (e.g. 3" in 12"). Pitch must be specified from the 'B' dimension direction.
- Rib detail must be submitted with either manufacturers drawing or roof sample.
- 1" Semi-Rigid Fiberglass Insulation.
- Factory installed nominal 2 x 2 Wood Nailer for equipment mounting is mechanically fastened to upper curb perimeter.
- Mill finish is standard.
- If either dimension exceeds 90" multisection construction may be required.



'A' (width)	'B' (width)	'C' (height)	Height Increase	Pitch or Peak	First Rib	Rib Distance	Qty	Options / Accessories
			" in 12"					
			" in 12"					
			" in 12"					
			" in 12"					
			" in 12"					

PROJECT _____ LOCATION _____
 ARCH/ENGR _____ CONTRACTOR _____
 REPRESENTATIVE _____ DATE _____

PC00102 - April 2000

ROOF CURBS

LD Louvers & Dampers
 A DIVISION OF MESTEK, INC.

P.O. Box 606 • 7435 Industrial Rd • Florence, KY 41042 • Phone (859) 647-2299 • Fax (859) 647-7810

OPTIONS / ACCESSORIES

MATERIAL

Steel products are available in various gauges of Galvanized, Galvaneal or Stainless.

PITCHED OR PEAKED

All units are available as pitched or peaked. In conjunction with the overall unit dimensions, both the height rise, specified in inches per linear foot (e.g. 3" in 12") and the direction of the pitch must be specified.

LINERS

A liner may be used for retention of insulation or as support to strengthen large units that will support a heavy load. Liners are manufactured as an integral part of the product to add maximum structural support.

PLATFORM CAP

A 3/4" plywood top with a metal cap fabricated of the same material as the product.

GASKET

1/4" thick polyurethane foam gasket can be installed, lining the entire top perimeter. Gasket can be used in place of, or in addition to a wood nailer.

INSULATION

Curbs are available with 2" Semi-Rigid insulation instead of the standard 1".

ACCESS PANELS

To provide a passageway to internal equipment, an access opening is cut and lined with a protective vinyl edge seal and the cover panel is mechanically fastened over the opening. Minimum height restrictions apply.

LOUVERED VENTS

To provide an airflow through the curb, units are available with 6" wide x 7/8" high louvered vents, with 4 per side. Minimum height restrictions apply.

DAMPER RACK

For mounting of dampers in the curb, a damper rack can be installed. The rack is located in the bottom of the curb and a damper is then mounted on top of the rack. Damper and/or rack flange dimensions must be specified.

SECURITY BARS

Selections of Bar diameters, Frame styles and Spacing are available.

FINISHES

A wide selection of finishes including Baked Enamel, Epoxy, or Prime Coat.